

LOC		DIST		REVISIONS			
P	LTR	DATE	DESCRIPTION	DATE	DN	APVD	
B2	REVISED PER ECO-11-004587	11MAR11			RK	HMR	



- 1 FOR ADDITIONAL SPECIFICATIONS SEE AMP PRODUCT SPEC 108-7532.
 - 2 SWITCH SHOWN IN OPEN POSITION.
 - 3 ALL CHARACTERS AND ROCKERS ARE WHITE, HOUSING IS BLUE.
 - 4 STAMPING WILL VARY ON 2 AND 3 POSITION SIDES DUE TO SPACE RESTRICTIONS.
 - 5 .315 DIMENSION APPLIES AT TERMINAL TIPS. TERMINALS ARE .300+.010 -.000 AT MOUNTING SURFACE.
 - 6 STRIPPABLE TRANSPARENT SEAL, SEE FIG 1.
 - 7 STRIPPABLE TRANSPARENT SEAL, SEE FIG 1.
 - 8 MATERIAL: HOUSING & ROCKERS- POLYESTER CONTACTS & SOLDER LEAD-COPPER ALLOY
 - 9 FINISH: CONTACTS- GOLD OVER NICKEL SOLDER LEAD- TIN OVER NICKEL
 - 10 ALL MATERIALS AND FINISHES SHALL COMPLY WITH EU DIRECTIVE 2002 /95/EC OF 27JAN2003(ROHS).
- 11 OBSOLETE PARTS: OBSOLETE CIS STREAMLINING PER D.RENAUD/D.SINISI

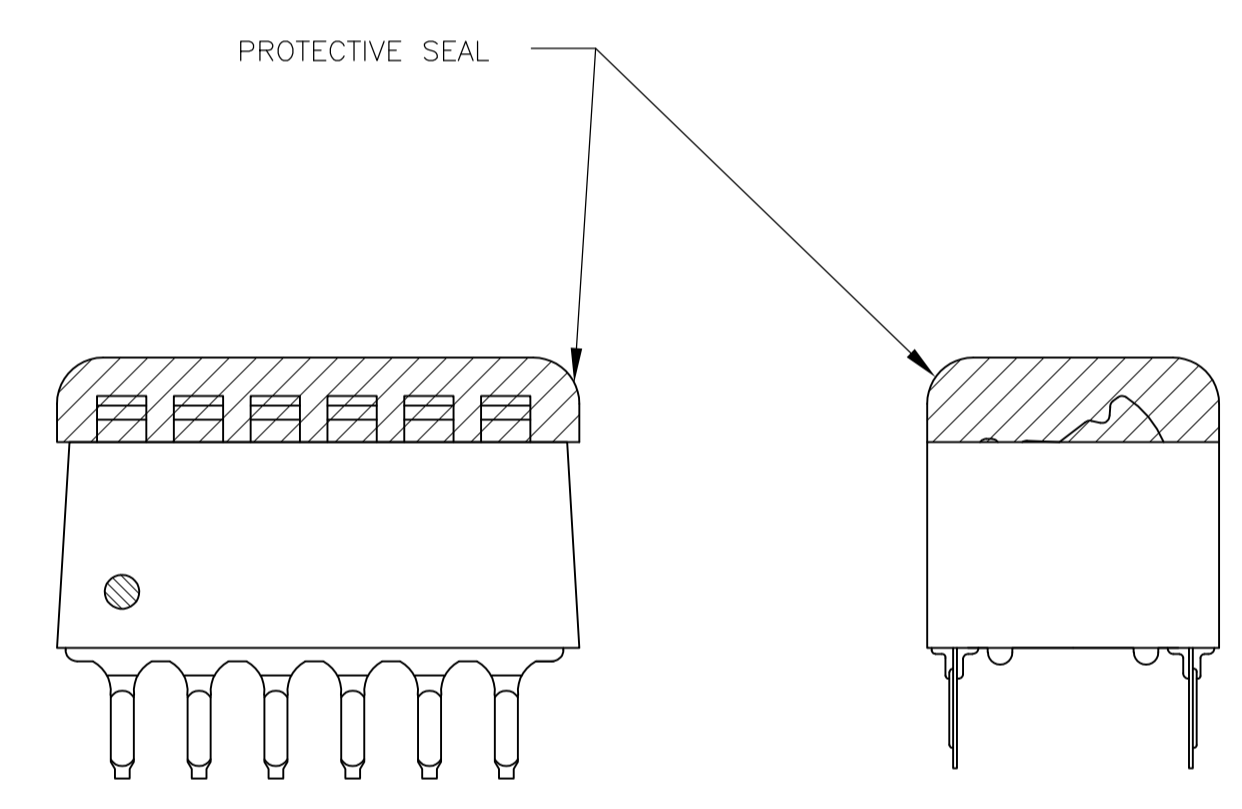


FIG 1

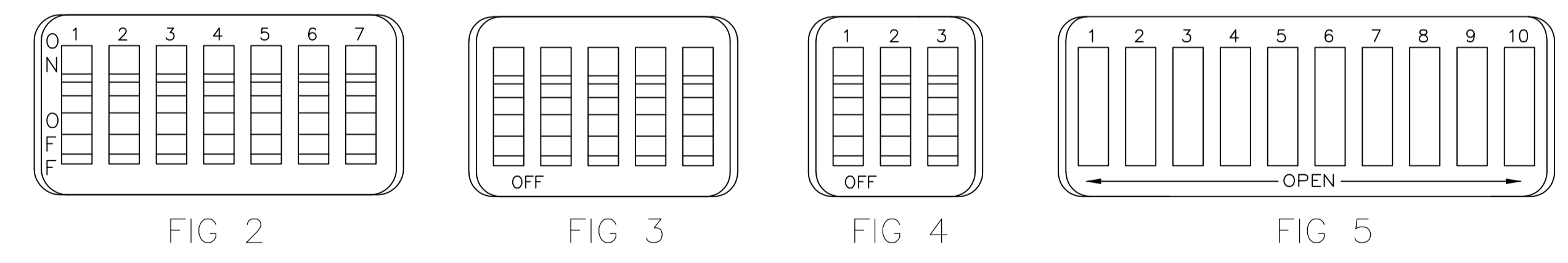


FIG 2

FIG 3

FIG 4

FIG 5

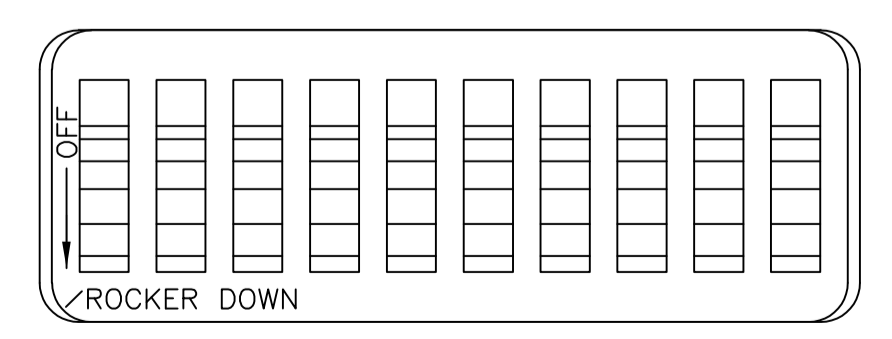


FIG 6

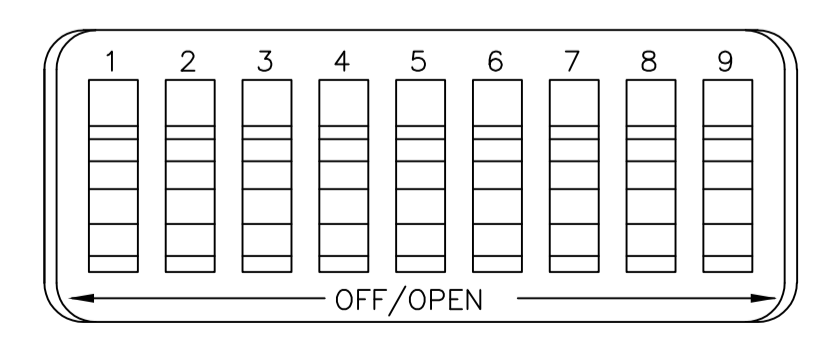


FIG 7

FIG	NO OF POSN	NO OF POSN	NO OF POSN	NO OF POSN	
OBSOLETE	FIG 6	1.08	10	-6-5435640-1	
	FIG 7	.58	5	-6-5435640-0	
		.48	4	-5-5435640-9	
OBSOLETE	FIG 5	.88	8	5-5435640-8	
		.98	9	5-5435640-7	
	FIG 2	.68	6	-5-5435640-6	
		.58	5	-5-5435640-5	
		.48	4	5-5435640-4	
OBSOLETE	FIG 3	.88	8	5-5435640-3	
	FIG 5	1.08	10	5-5435640-1	
		.88	8	5-5435640-0	
OBSOLETE	FIG 3	.88	8	-4-5435640-9	
		.58	5	4-5435640-8	
OBSOLETE	NONE	1.08	10	-4-5435640-7	
		1.28	12	-4-5435640-3	
	AS SHOWN	1.08	10	4-5435640-1	
		.98	9	4-5435640-0	
		.88	8	3-5435640-9	
		.78	7	3-5435640-8	
		.68	6	3-5435640-7	
		.58	5	3-5435640-6	
		.48	4	3-5435640-5	
		1.28	12	3-5435640-2	
		FIG 4	.38	3	3-5435640-0
			.28	2	2-5435640-9
	AS SHOWN	1.08	10	5435640-7	
.98		9	5435640-6		
.88		8	5435640-5		
.68		6	5435640-4		
.58		5	5435640-3		
.48		4	5435640-2		
.78	7	5435640-1			
TOP MARKING	A	NO OF POSN	PART NO.		

THIS DRAWING IS A CONTROLLED DOCUMENT.

DIMENSIONS: INCHES

TOLERANCES UNLESS OTHERWISE SPECIFIED:

0 PLC	± .005
1 PLC	± .005
2 PLC	± .005
3 PLC	± .005
4 PLC	± .005
ANGLES	± .005

MATERIAL: SEE NOTES

FINISH: SEE NOTES

WEIGHT: --

CUSTOMER DRAWING

DIN: BSV 08JAN2005

CIR: M SARVER 13SEP05

APVD: M SARVER 13SEP05

NAME: SWITCH ASSY, DIP, TYPE C, 7100 SERIES, SPST, STANDARD

SIZE: A1

SCALE: 4:1

SHEET: 1 OF 1

REV: B2

STE TE Connectivity